

6 - 12 CELL BATTERIES

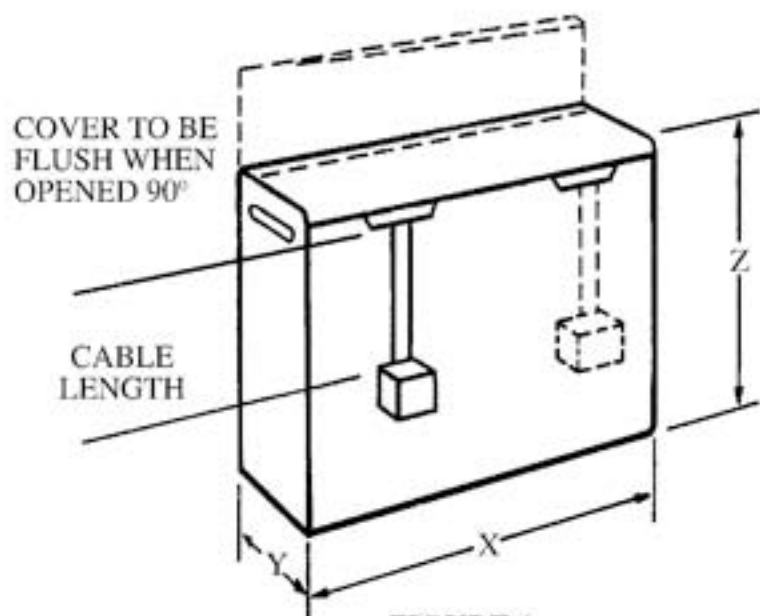


FIGURE 1.
HEIGHT "Z" INCLUDES COVER

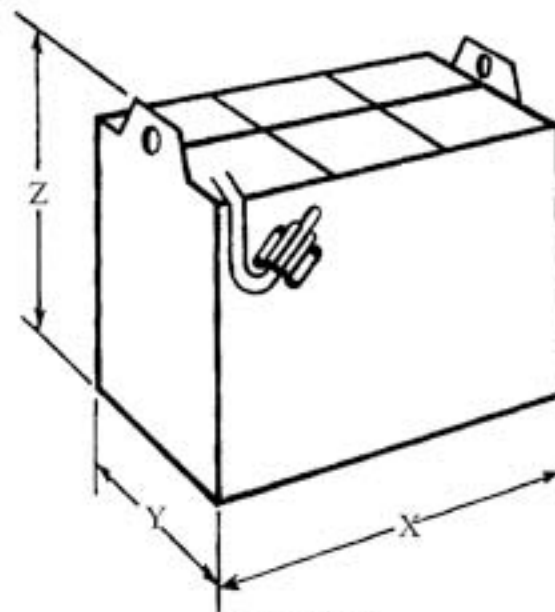


FIGURE 2.
BATTERY WITH MOUNTED RECEPTACLE
ADD 2.38" TO "Y" DIM. FOR RECEPTACLE

18 - 36 CELL BATTERIES

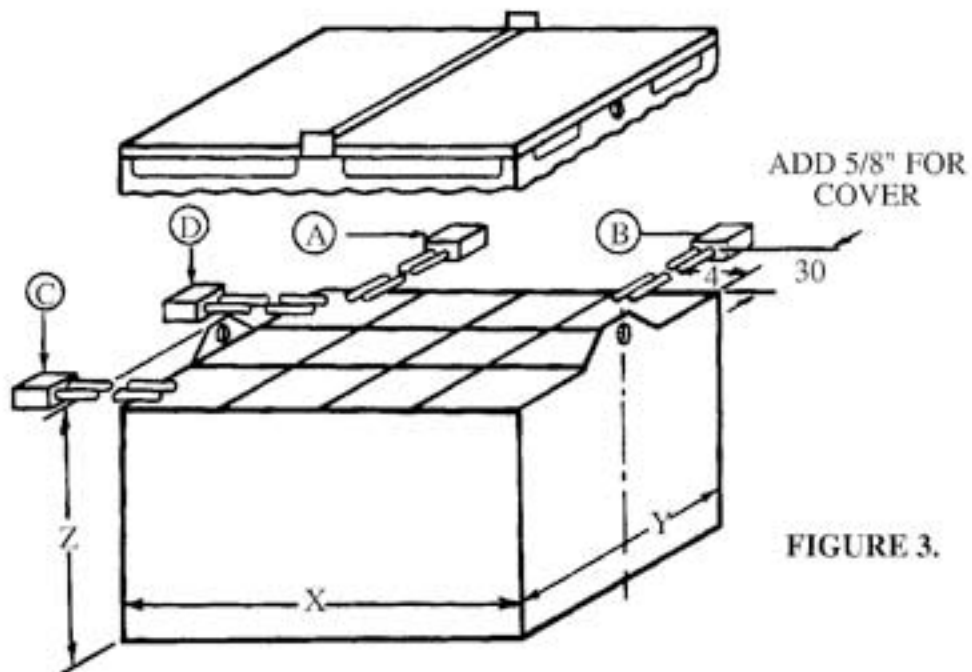


FIGURE 3.